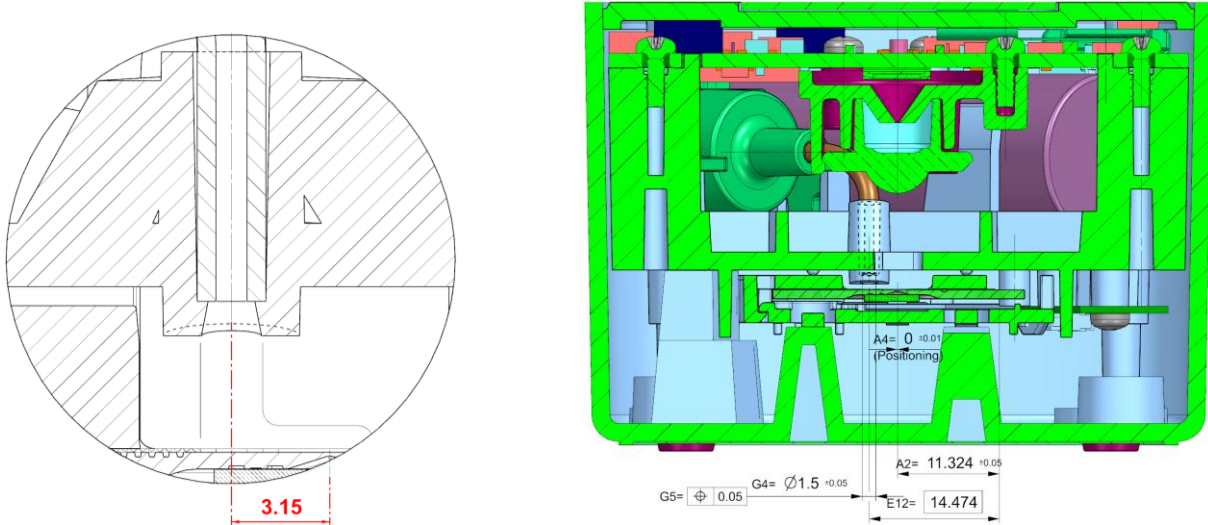


6 “LED-Fiber alignment” on Chassis in RDR.

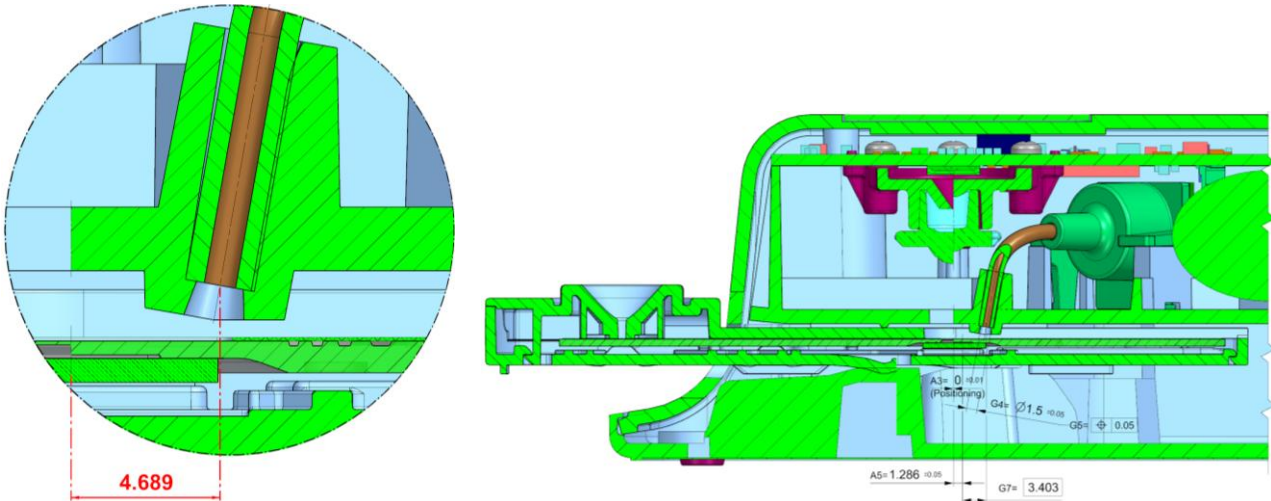
6.1 “X” -position; LED-Fibre vs. Photonic Chip (IR_PRS_035)



Nominal dimensions

	Dimension	Min. Tolerance	Max. Tolerance	X-Position IR PRS 035		
Nominal Play				3,150	input fields	
Tolerances in parts:						
ADX-CARA-000-A-000003-0F-Inner Cartr	A4	0	-0,010	0,010	0,0100	
ADX-CARA-0A0-P-000001-0A-UC III Inne	A2	11,324	-0,050	0,050	0,0500	
ADX-RDR-0A0-P-000001-0A-Chassis 202	E12	14,474	-0,100	0,100	0,1000	
combined tolerances:						
Worst case					0,160	
Statistical					0,112	
Average of Worst case and Statistical					0,136	
actual play						
Worst case	Max	3,262			3,310	Leading results
	Min	2,990			2,990	
statistical	Max	3,262			3,262	
	Min	3,038			3,038	
average	Max	3,286			3,286	
	Min	3,014			3,014	

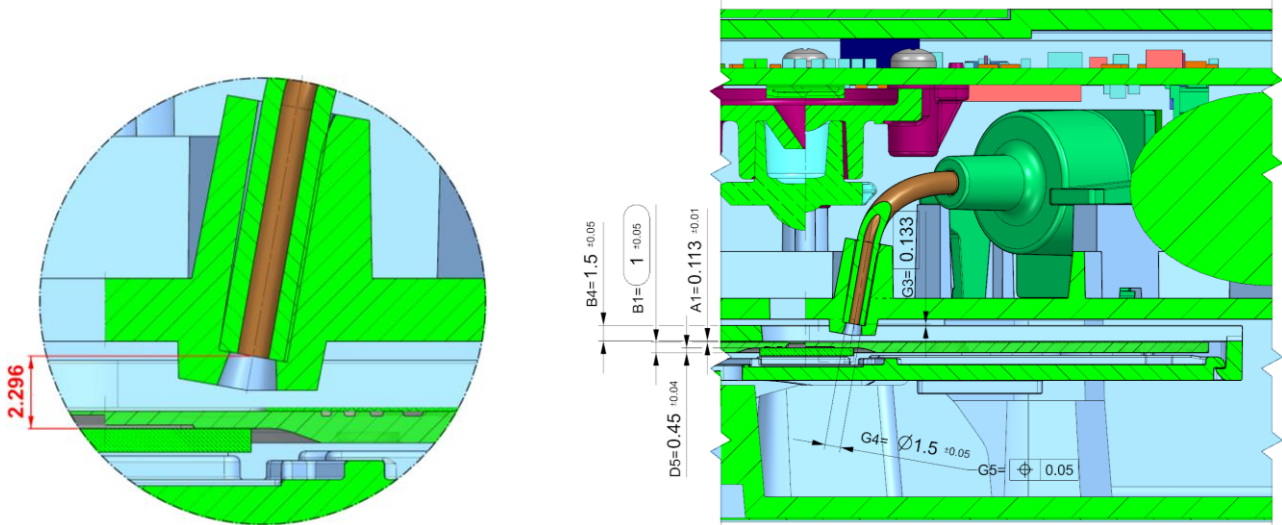
6.2 "Y" -position; LED-Fibre vs. Photonic Chip (IR_PRS_036)



Nominal dimensions

	Dimension	Min. Tolerance	Max. Tolerance	Y-Position IR PRS 036		
Nominal Play				4,689	input fields	
Tolerances in parts:						
ADX-CARA-000-A-000003-0F-Inner Cartr	A3	0	-0,010	0,010	0,0100	
ADX-CARA-0A0-P-000001-0A-UC III Inne	A5	1,286	-0,050	0,050	0,0500	
ADX-RDR-0A0-P-000001-0A-Chassis 202	G7	3,403	-0,100	0,100	0,1000	
combined tolerances:						
Worst case					0,160	
Statistical					0,112	
Average of Worst case and Statistical					0,136	
actual play						
Worst case	Max	4,789			4,849	Leading results
	Min	4,529			4,529	
statistical	Max	4,801			4,801	
	Min	4,577			4,577	
average	Max	4,825			4,825	
	Min	4,553			4,553	

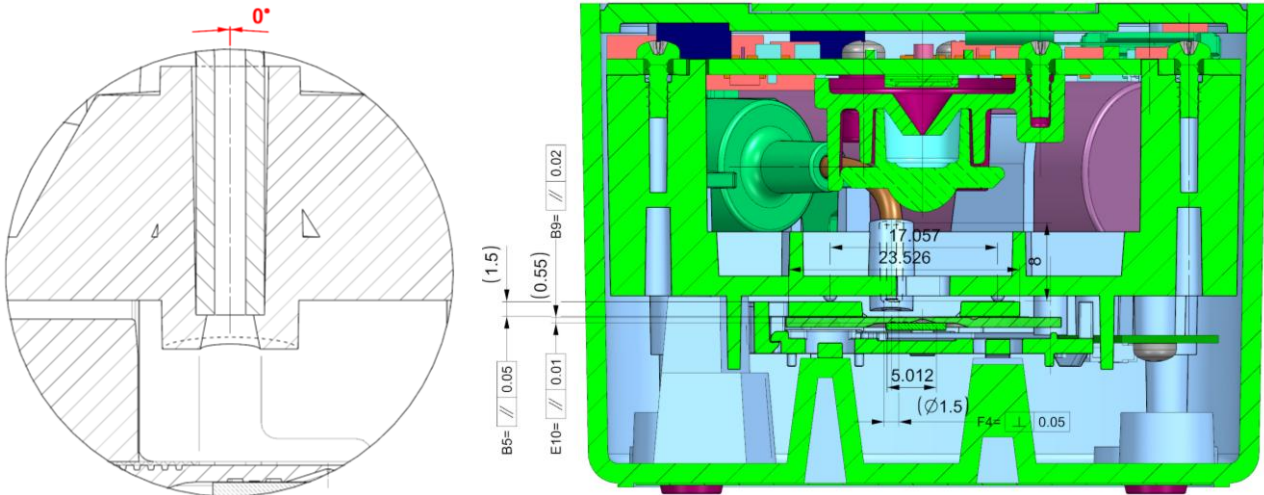
6.3 "Z" -position; Led vs. LED-Fibre (IR_PRS_037)



Nominal dimensions

	Dimension	Min. Tolerance	Max. Tolerance	Z-Position IR_PRS_037	
Nominal Play				2,296	input fields
Tolerances in parts:					
ADX-CARA-0A0-P-000001-0A-UC III Inner	B1	1	-0,050	0,050	0,0500
ADX-CARA-0A0-P-000001-0A-UC III Inner	D5	0,45	-0,040	0,040	0,0400
ADX-CARA-000-V-000008-0B-Top Lamin	A1	0,113	-0,010	0,010	0,0100
ADX-CARA-0A0-P-000006-0A-Outer Cart	B4	1,5	-0,050	0,050	0,0500
ADX-RDR-0A0-P-000001-0A-Chassis 202	G3	0,133	-0,100	0,100	0,1000
combined tolerances:					
Worst case					0,250
Statistical					0,129
Average of Worst case and Statistical					0,190
actual play					
Worst case	Max	2,396			2,546
	Min	2,046			2,046
statistical	Max	2,425			2,425
	Min	2,167			2,167
average	Max	2,486			2,486
	Min	2,106			2,106

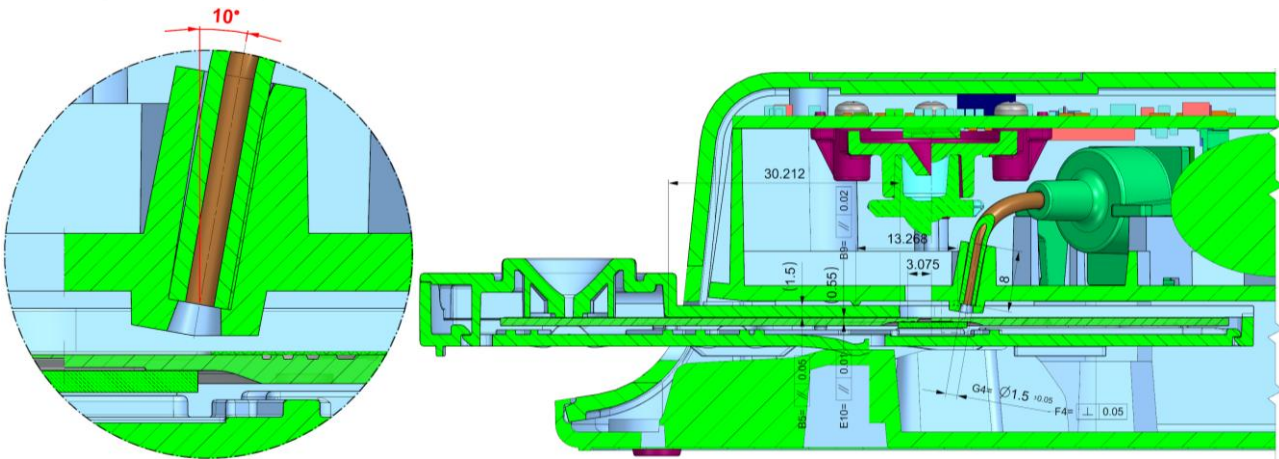
6.4 "θ" Pitch-angle; Led vs. LED-Fibre (IR_PRS_038)



Nominal dimensions

		Dimension	Min. Tolerance	Max. Tolerance	Pitch-angle θ IR PRS 038		
Nominal Play					0°		input fields
Tolerances in parts:							
Mounting Fibre in Chassis-Play						1,0000	
Warpage of Chassis-angle						0,5000	
ADX-CARA-0A0-P-000001-0A-UC III Inne	acc. CAD	5,012	-0,200	0,200	0,2000		
ADX-CARA-0A0-P-000001-0A-UC III Inne	E10	0,01	-0,010	0,010	0,0100	0,1191	
ADX-CARA-0A0-P-000006-0A-Outer Cart	acc. CAD	23,526	-0,200	0,200	0,2000		
ADX-CARA-0A0-P-000001-0A-UC III Inne	B9	0,02	-0,020	0,020	0,0200	0,0491	
ADX-CARA-0A0-P-000006-0A-Outer Cart	acc. CAD	17,057	-0,200	0,200	0,2000		
ADX-CARA-0A0-P-000006-0A-Outer Cart	B5	0,1	-0,100	0,100	0,1000	0,3399	
ADX-RDR-0A0-P-000001-0A-Chassis 202	acc. CAD	8	-0,200	0,200	0,2000		
ADX-RDR-0A0-P-000001-0A-Chassis 202	F4	0,05	-0,050	0,050	0,0500	0,3673	
combined tolerances:							
Worst case					0,980	2,375	
Statistical					0,416	1,232	
Average of Worst case and Statistical					0,698	1,804	
actual play							
Worst case	Max	RWAARDE			2,375 °		
	Min	RWAARDE			-2,375 °		
statistical	Max	RWAARDE			1,232 °		Leading results
	Min	RWAARDE			-1,232 °		
average	Max	RWAARDE			1,804 °		
	Min	RWAARDE			-1,804 °		

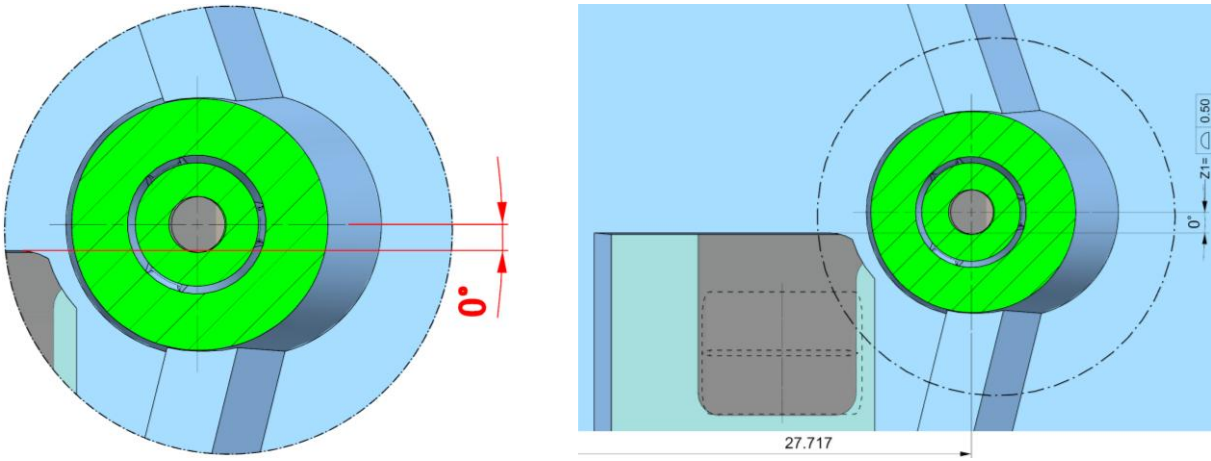
6.5 “φ” Roll-angle; Led vs. LED-Fibre (IR_PRS_039)



Nominal dimensions

		Dimension	Min. Tolerance	Max. Tolerance	Roll-angle φ IR_PRS_039		
Nominal Play					10°		input fields
Tolerances in parts:							
Mounting Fibre in Chassis-Play						1,0000	
Warpage of Chassis-angle						1,0000	
ADX-CARA-0A0-P-000001-0A-UC III Inne	E7 + E14	6,15	-0,040	0,040	0,0400		
ADX-CARA-0A0-P-000001-0A-UC III Inne	E10	0,01	-0,010	0,010	0,0100	0,0938	
ADX-CARA-0A0-P-000006-0A-Outer Cart	acc. CAD	30,212	-0,200	0,200	0,2000		
ADX-CARA-0A0-P-000001-0A-UC III Inne	B9	0,02	-0,020	0,020	0,0200	0,0382	
ADX-CARA-0A0-P-000006-0A-Outer Cart	acc. CAD	13,268	-0,200	0,200	0,2000		
ADX-CARA-0A0-P-000006-0A-Outer Cart	B5	0,05	-0,050	0,050	0,0500	0,2192	
ADX-RDR-0A0-P-000001-0A-Chassis 202	acc. CAD	8	-0,200	0,200	0,2000		
ADX-RDR-0A0-P-000001-0A-Chassis 202	F4	0,05	-0,050	0,050	0,0500	0,3673	
combined tolerances:							
Worst case					0,770	2,718	
Statistical					0,357	1,481	
Average of Worst case and Statistical					0,563	2,100	
actual play							
Worst case	Max	RWAARDE			2,718 °		
	Min	RWAARDE			-2,718 °		
statistical	Max	RWAARDE			1,481 °		Leading results
	Min	RWAARDE			-1,481 °		
average	Max	RWAARDE			2,100 °		
	Min	RWAARDE			-2,100 °		

6.6 “ψ” Yaw-angle; Led vs. LED-Fibre (IR_PRS_040)



Nominal dimensions

		Dimension	Min. Tolerance	Max. Tolerance	Yaw-angle ψ IR_PRS_040		
Nominal Play					0°		input fields
Tolerances in parts:							
ADX-RDR-0A0-P-000001-0A-Chassis 202	acc. CAD	27,717	-0,200	0,200	0,2000		
ADX-RDR-0A0-P-000001-0A-Chassis 202	Z1	0,5	-0,500	0,500	0,5000	1,0410	
combined tolerances:							
Worst case					0,700	1,041	
Statistical					0,539	1,041	
Average of Worst case and Statistical					0,619	1,041	
actual play							
Worst case	Max	SWAARDE			1,041 °		Leading results
	Min	SWAARDE			-1,041 °		
statistical	Max	SWAARDE			1,041 °		
	Min	SWAARDE			-1,041 °		
average	Max	SWAARDE			1,041 °		
	Min	SWAARDE			-1,041 °		